

Eliet Brush Chipper Familiarization

9 pages including cover

This is a simple familiarization and not a substitute for the complete operator manual which is located on the machine. For clarification or for another copy of any of these documents, please contact All Star Rents at 1-866-ALL STAR immediately.

7.3.1 General safety precautions

- The Owner Manual must stay with the unit during its complete service life. It serves as a reference for the user, and enables the machine to be used and maintained in accordance with the correct instructions. Always refer to this instruction manual if you have any doubts about an action that you are about to perform.
- If the instructions stated in this manual are not clear to you, do not hesitate to contact your Eliet dealer for further explanation.
- Carefully observe all safety instructions when using the ELIET machine ! Carefully read all the instructions relating to the use of the machine. All these instructions relate to your personal safety.



Warning:

Under certain conditions, petrol is highly flammable and extremely explosive. Fire and explosion caused by petrol can result in serious burns or damage to property.

- Do not add fuel while engine is running. Always allow a few minutes for the engine to cool off before topping up with fuel.

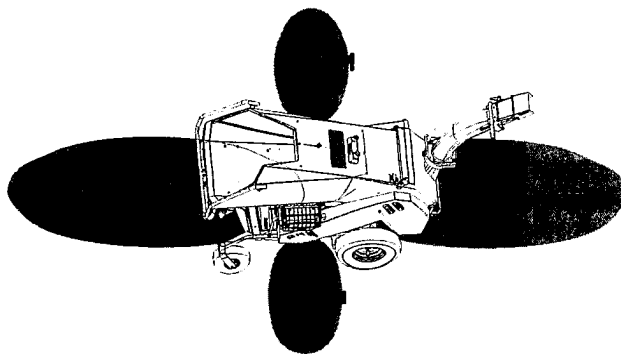
7.3.2 Careful and security-conscious use

- This machine is designed solely for chipping branches, prunings, leaves and all kinds of organic garden debris and shall be used for this purpose only.
- Never attempt to shred frozen branches.
- Think about what you are doing whenever you operate the machine. Do not be tempted to let routine dull your attention. Never act impulsively or in reflex.
- Despite the extensive safety features, do not seek out dangerous situations.
- Take care to preclude any tools falling into the in-feed funnel.
- Do not feed foreign materials. (string, stones, metal, plastic, textile, etc.)
- According to the manufacturer, this model will take branches up to 130 mm diameter. For your

7.3.4 Personal Protective Equipment (PPE)

- You must wear suitable clothing to operate this machine. That is, clothing covering the whole body, heavy protective gloves and closed nonslip footwear.
- Do not wear loose fitting clothing (a shawl, for instance, should be avoided by all means). Long hair should be contained using a cap or a headband, or worn in a ponytail.
- For the protection of the most sensitive senses, ELIET recommends ear defenders and safety goggles.
- Shredding may result in dust production. If this dust irritates your lungs, we recommend that you wear a dust mask conform to directive 89/686/EC.

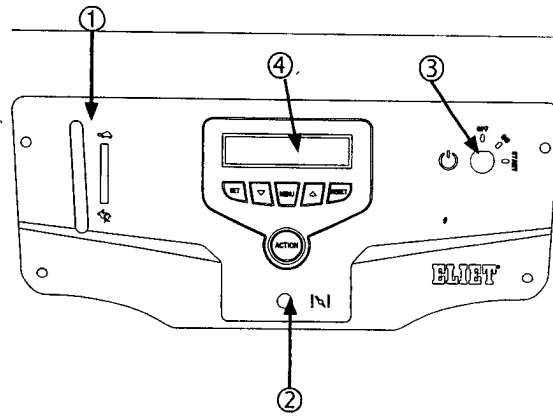
7.3.5 Danger zone



**Graphical representation
of the danger zone**

- During the work, do not allow bystanders to enter the zone of danger that stretches up to 10m around the machine. Do not take any risks and immediately stop the machine as soon as anyone enters the danger area.
- When leaving the machine, the engine must be switched off. Always wait until the blades come to a complete standstill before carrying out any operation. Once the engine is running, focus all your attention on operating the machine.

Standard version



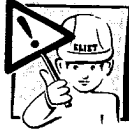
- Move the throttle (1) to the max. (=hare) position.
- Close the valve (choke) (2) by pulling the knob.
- Turn the ignition key (3) to the ON position, and check if the LCD-screen (4) lights up. This way you are able to check the operation of the LCD-screen.
- Turn the key to position 2, the start motor cranks the engine .
- Release the key when the engine starts.
- After 3 to 4 seconds, push the button of the Choke (2) valve slowly back in.
- At ELIET, we recommend to keep maximum engine speed at 3,200 rpm. Check to ensure that the motor is achieving the revolutions indicated when running at full gas. Never try to modify the engine speed yourself.

Switching off the engine :

- Move the throttle control lever (1) to low speed (= tortoise).
- Turn the ignition key (3) to the OFF position and remove from the ignition switch
- Store the key in a safe place away from children and unauthorised persons.

B. If you have the Cross Country version (version with caterpillar tracks)

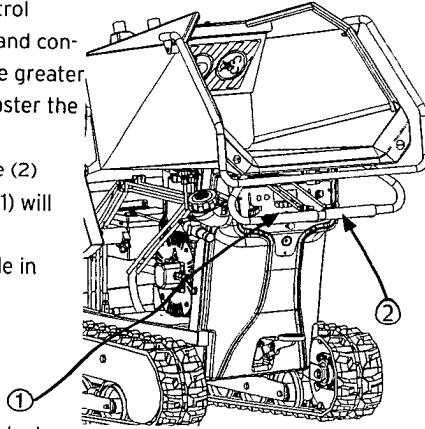
- Start the engine ("9.4 Starting the Petrol Engine" on page 25).
- Move the throttle control lever so that the engine runs at low speed .
- To move the machine, perform the following steps:
The control handle consists of two separate handles, where the left-hand handle controls the left-hand track, and the right-hand handle controls the right-hand track.
- To move the machine straight ahead (forwards or backwards) : Move both control handles at the same time. Moving both control handles will cause the machine to move forwards, moving them backwards will cause the machine to move backwards.



Caution:

If you do not move both control handles by the same amount, the machine will not move in a straight line.

- To turn to the right: By moving the left-hand control handle (1) through a larger angle than the right-hand control handle (2), the machine turns to the right. The greater the difference between the control handles, the faster the machine will turn.
- To turn to the left: Move right-hand control handle (2) through a larger angle than the left-hand handle (1) will cause the machine to turn to the left.
- To turn the machine on the spot: Move each handle in opposite directions.

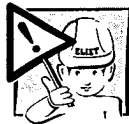


WARNING

KEEP YOUR FEET SAFE !

The operator must be on his guard and move the control handles carefully.

9.5 Moving the machine



Caution:

The machine may only be driven if the blade axle is disengaged so that no chips are being ejected. Driving the machine with the blade coupling engaged could lead to serious damage.

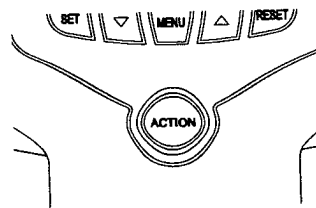
TIP:

It is a good idea to become acquainted with the characteristics of a self-propelled machine and do so in a quiet spacious location without bystanders.

9.6.3.1 Starting the blade system and discharge system

- Always shred at full throttle
- Set the thrust lever to maximum or push the PUSH button on the machine to run at full gas.

In order to shred, the blades and the discharge system must be started. The coupling must be engaged in order to do so. On the dashboard, there is an illuminated button with the word 'Action'. Push this Action button in order to begin shredding.





Warning:

Once the Action button has been pressed, the blades will rotate and the Axelero™ will be driven. As a result, any remaining chips in the chamber and Axelero™ will be blown out.



For your information

When shredding at temperatures around freezing, maximum branch size of branchy material is limited to 70 mm.



For your information:

Always shred at full throttle for the engine to produce its full power output.



Caution:

If the revolutions are too low, the coupling will not engage when the Action button is pushed. A safety message on the LCD screen will ask you to increase the revolutions. Use the thrust lever.



Caution:

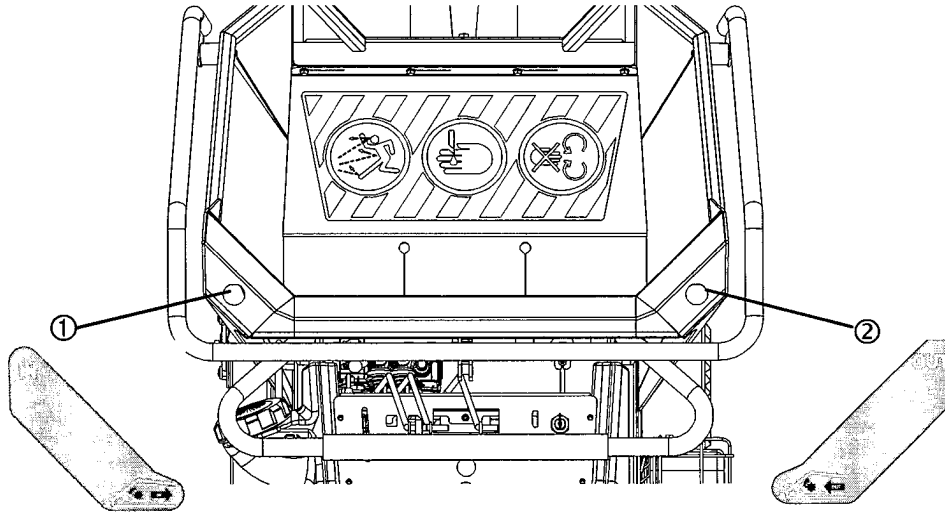
If the motor is not sufficiently warmed up, the motor revolutions may drop dramatically as a result of the sudden strain when the coupling is engaged. The Super Prof electronics will prevent the motor cutting out by automatically disengaging the coupling and, after a fraction of a second, engaging it again in order to overcome the inertia of the blade axle and discharge system.



9.6.3.2 Operating the feed roller

In order to simplify operating the feed roller, a clear and well-organised system has been chosen, using buttons on the front of the hopper.

The left button (1) is for inserting the cut waste; the right button (2) is for carrying back the cut waste.



- Push the left button (1) and the feed roller will start moving and pull the cut waste into the feed hopper at a constant speed. The buttons are fitted with integrated LED lights. These light up the button when they are activated. These buttons show the direction of the feed roller.

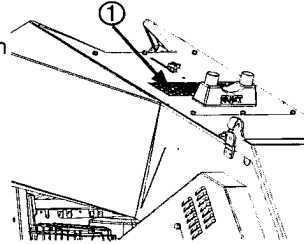


Warning:

The feed roller can only be switched on if the blades are activated. If this is not the case, a message will be displayed on the LCD screen. Press the Action button to reactivate the blade axle.

- Preferably, the operator's position is next to the black loading hopper to introduce the garden waste. In this way, flying chippings finding their way from below the safety screen that are expelled from the in-feed do not cause personal injury.
- Feed the garden waste into the loading hopper and guide it towards the feed roller. In the case of loose garden waste (leaves, etc.), use a branch to push the material up to the feed roller. (DO NOT USE a shovel or a fork to do this).
- The Axelero™ discharge system creates a suction effect in the hopper in front of the feed roller. Loose cut waste and leaf litter can impede this suction. In order to ensure the Axelero™ suction is effective, the anti-projection flap in the feed hopper can be secured in a raised position.

- Undo the star screw (1) so that the feed hopper can be moved. The anti-projection flap can now be tilted and the leaf litter can move more easily through the feed hopper.



Warning:

If the anti-projection flap is opened, particular attention must be paid to the recoil of cuttings along the feed hopper. Always wear the appropriate protective equipment.

- In the case of branches, it is recommended to feed in the thickest part of the branch first.
- Never use a step for feeding the loading hopper with garden waste.
- Never put your hands further in than the base of the anti-projection cover.
- Never push jammed green waste into the hopper with your foot.



Warning:

Do not lean forwards to push material further into the loading hopper so that your hands NEVER go past the safety screen.

- By reducing the amount of material that you feed into the machine, it will operate more optimally.
- In the case of branches, it is recommended to feed in the thickest part of the branch first.



Caution:

Thick branches that have been sawn at both ends must be fed in from the left hand side of the hopper so that they are guided by the wall. Make sure that branches do not turn diagonally to the supply direction as this can block the machine.



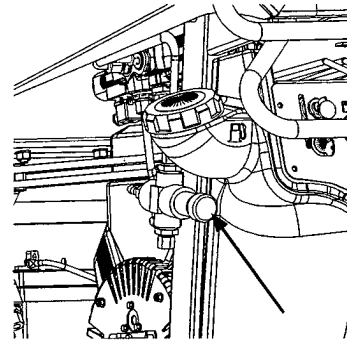
- **Automatic overload system (ABM):**

To avoid the shredder unit becoming blocked and ensure that the machine can work autonomously, you have chosen an ABM system (anti-block motor). When revolutions reduce as a result of loading, and this falls below 2750 t/min, the feed roller will automatically stop supplying. When the revolutions return to above 2750 t/min, the feed roller will restart.

To stop the feed roller:

- A. push one of both buttons (1 or 2) or
- B. push the safety-stop-bracket.

- **With speed governing:** If you selected this option (rotary knob underneath the loading hopper), you can control the speed of the feed roller according to the material to be fed in. By adjusting the knob (in the range of 1 to 10), you can obtain maximum efficiency.



- The rotation direction of the feed roller can be changed by pressing the 'out' button. (2), This is useful if a piece of wood becomes wedged underneath the feed roller.



Caution:

Pressing the OUT button will bring the feed roller to a standstill. If it pressed a second time, the roller will turn in the opposite direction and the green waste will be ejected.

- With moist materials, it is best to use a sieve for damp products. (order number: MA 029 001 011) This sieve can also be combined with other sieves. Read all about the various sieves and various combination options on "13.1 Sieve screening" on page 74



Warning:

In order to avoid personal serious injury or damage to properties, never operate the machine without a sieve screen fitted.

- If the shredding chamber gets clogged up, switch off the machine to remove the blockage. Make sure to wait for the blades to come to a complete standstill, before carrying out any operation on the machine. For safety's sake, disconnect the spark plug wire.
 - Stop the feed roller by pushing the safety-stop-bracket.
 - Press the Action button to switch off the blade axle.
 - Move the throttle control lever to the minimum position.
 - Stop the engine using the ignition key.
 - Open the maintenance hatch in order to access the blade axle and the discharge system(Axelero™) ("11.2.4 Opening the Axelero™ chamber" on page 42)
 - Check the Axelero™ impeller for damage.
 - Open the sieve in order to access the chippings chamber. ("11.2.5 Opening the shredding chamber" on page 43)
 - Check the blades and the blade holders for damage.
 - In the event of damage, carry out repairs before shredding again.

- If you notice a foreign object in the garden waste in the loading hopper, perform the following steps:
 - Push the OUT button to stop the feed roller.
 - Press the OUT button again in order to eject the cut waste.
 - Press the Action button to switch off the blade drive.
 - Stop the engine
 - Now the feed hopper can be reached safely in order to remove the foreign objects among the cut waste.
 - Remove any foreign objects.

- If you notice a strange noise during the work, immediately stop shredding. Stop the engine and investigate the cause of the defect. Before proceeding, perform the necessary repairs.

